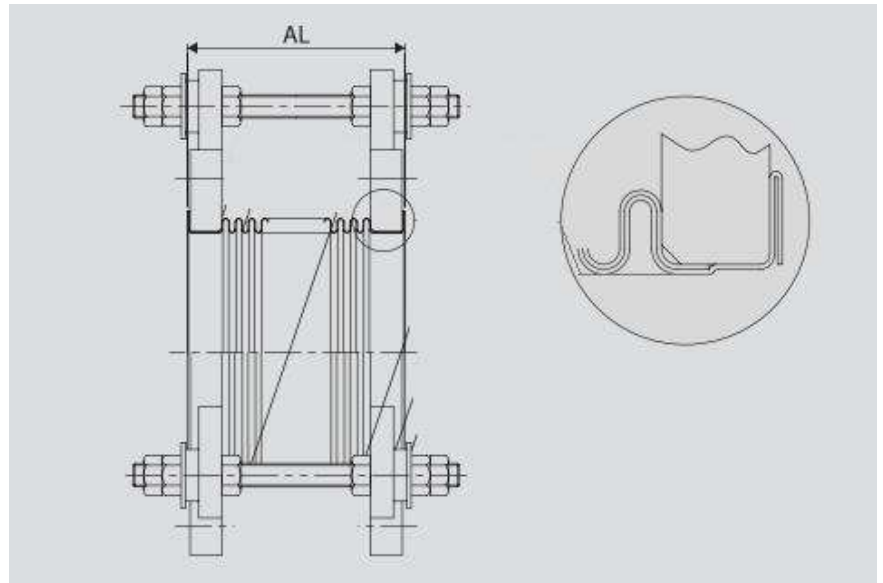


# STAINLESS STEEL 316 EXPANSION JOINT: B7-1-PN-16-4-4



Max Working Temperature: 250°C

Max Working Pressure: 16 bars

## Specification

Item	Size (mm)	AL (mm)	Axial Movement (±mm)
B7-1-PN16-6-6	DN20	120	±16
B7-1-PN16-6-6	DN25	120	±16
B7-1-PN16-6-6	DN32	120	±16
B7-1-PN16-6-6	DN40	120	±16
B7-1-PN16-6-6	DN50	150	±22
B7-1-PN16-6-6	DN65	150	±22
B7-1-PN16-6-6	DN80	150	±22
B7-1-PN16-6-6	DN100	200	±20
B7-1-PN16-6-6	DN125	200	±20
B7-1-PN16-6-6	DN150	200	±20
B7-1-PN16-6-6	DN200	250	±20
B7-1-PN16-6-6	DN250	250	±20
B7-1-PN16-6-6	DN300	250	±20

# STAINLESS STEEL 316 EXPANSION JOINT: B7-1-PN-16-4-4

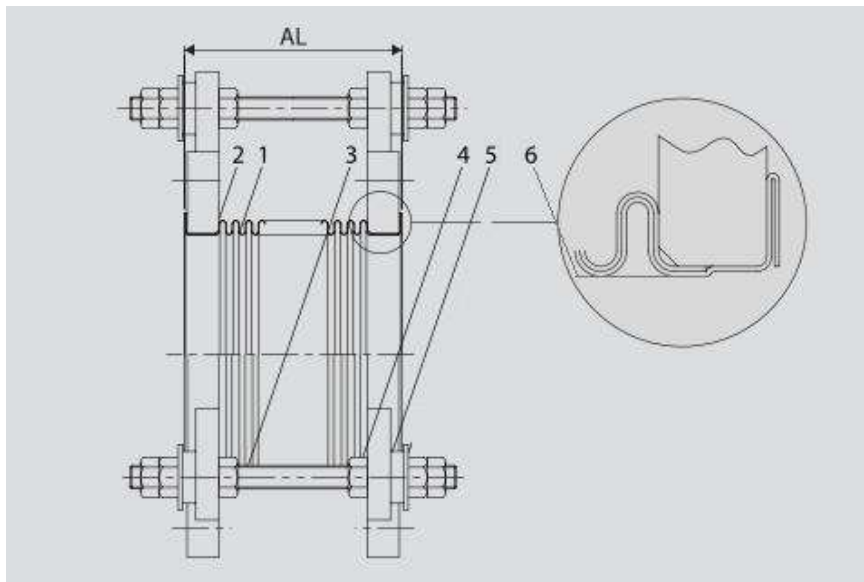
Applicable Fluid: Oil, Water, Hot Water, Steam, Gas, Air...

Limited Working Pressure: 16 Bars

Rating Standard Test Pressure: 1.5Times of Working Pressure

Rating Bursting Pressure: 4 Times of Working Pressure

- Another: Length, Working Pressure, Material, Specification can be changed, please request.



No	Parts	Material
1	Bellows	SUS 316
2	Flange	SUS 316
3	Limit Rods	Carbon Steel
4	Nuts	Carbon Steel
5	Holder	Carbon Steel
6	Sleeve	SUS 316